



### High-frequency transformer RM8 Series

#### Parameters/Dimensions:

##### RM8 Type 1

Information:

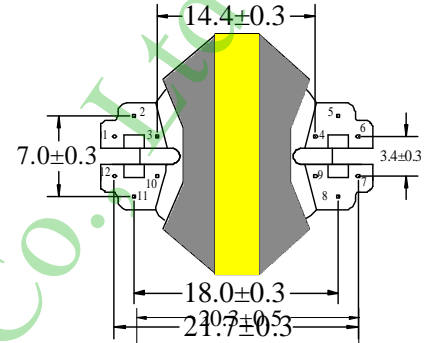
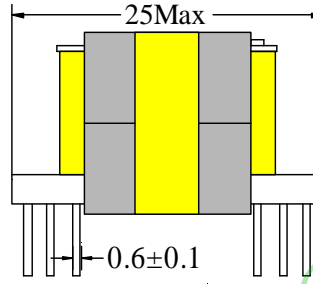
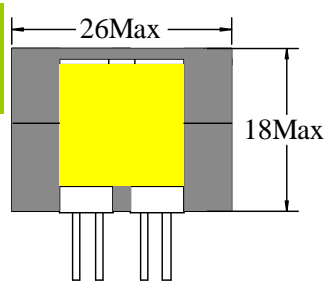
Shape: RM8

1 Power: 36W

2 Mounting Orientation: Vertical

3 Size: 26(W) \* 25 (L) \* 18 (H)

4 Effective Ae (mm<sup>2</sup>): 64



##### RM8 Type 2

Information:

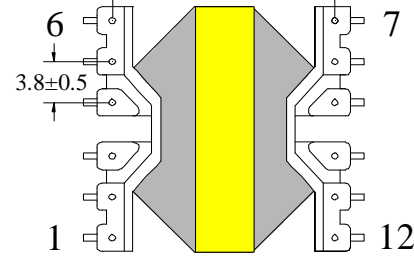
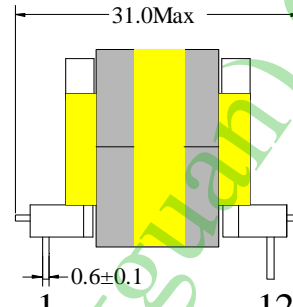
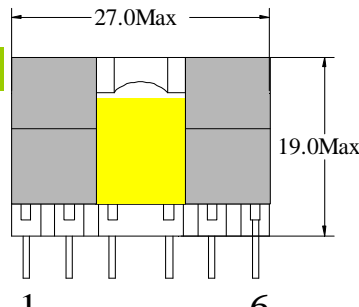
Shape: RM8

1 Power: 36W

2 Mounting Orientation: Vertical

3 Size: 27 (W) \* 31 (L) \* 19 (H)

4 Effective Ae (mm<sup>2</sup>): 64



##### RM8 Type 3

Information:

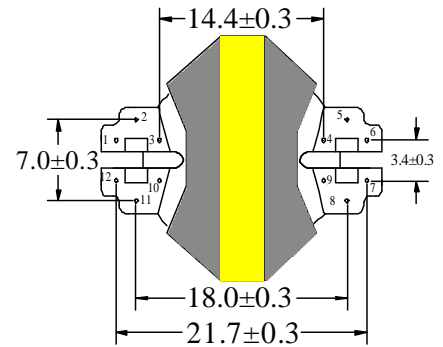
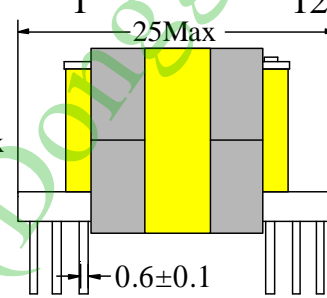
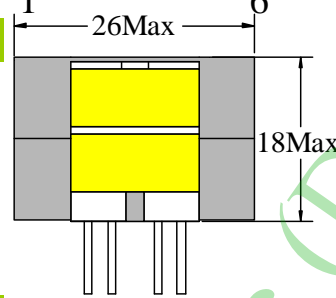
Shape: RM8

1 Power: 36W

2 Mounting Orientation: Vertical

3 Size: 26 (W) \* 25 (L) \* 18 (H)

4 Effective Ae (mm<sup>2</sup>): 64



##### RM6 Type 4

Information:

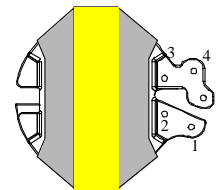
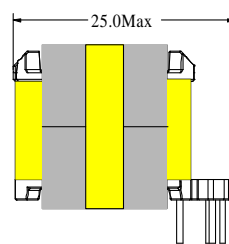
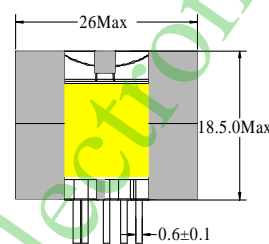
Shape: RM8

1 Power: 36W

2 Mounting Orientation: Vertical

3 Size: 26 (W) \* 25 (L) \* 18.5 (H)

4 Effective Ae (mm<sup>2</sup>): 64



#### Note:

Bobbin type listed in the traditional style, transformer design parameters to customer needs or to inject prevail.

#### RM series high-frequency transformer features:

Magnetic shielding effect, anti-interference ability, magnetic flux leakage small, distributed capacitance low, skeleton with multiple pin, multiple output transformer can be designed, high-density mounting. However, poor heat dissipation, higher safety costs.

#### Uses:

Auxiliary power transformers, drive transformers, wideband transformers, carrier filter, high stability of the filter. Mainly used in carrier communication, networking, digital television, electronic equipment and other fields.